

NovoDoser®

M series 100M

A low cost liquid nitrogen doser with frost-free vacuum insulation, food grade austenitic stainless steel material. Suitable for R&D laboratory and small batch automatic production line



Specifications

- Manual dosing using foot switch
- Controller with Siemens PLC platform
- IP65 stainless steel enclosure
- HMI with membrane press button for ease of operation
- Integrated level gauge for ease of level monitoring
- Minimum dose duration 15mS
- Accurate dose weight +/-5%
- 304L material construction higher corrosion resistance
- Electro-pneumatic or electronic dosing head
- Upgradable to 500FD controller for automatic dosing mode with the following features:
 - ✓ Auto-dosing mode with container sensor
 - ✓ discreet doing mode (No container-No dose) up to 40CPM
 - ✓ Optional dynamic dose with 4 container pockets settings for dose duration and dose delay, specially for filler with batch filling function
 - ✓ Multi-lingual HMI: English, Chinese, Spanish etc

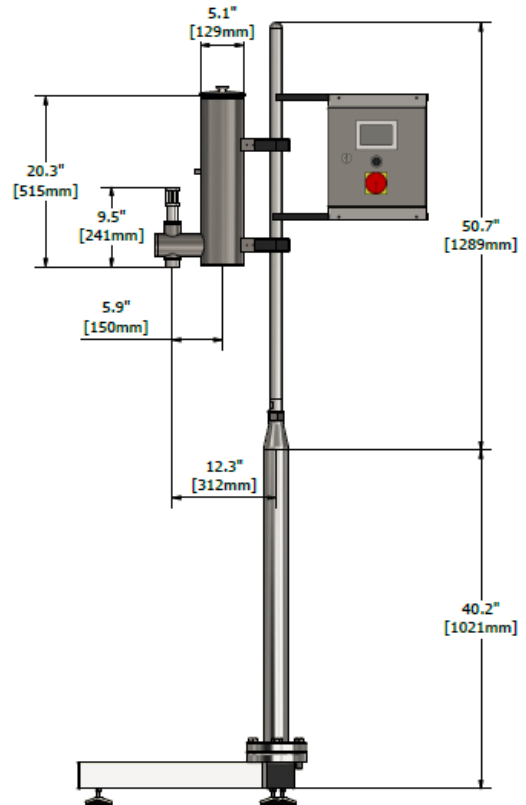
Ergonomic Features and Benefits

- **Frost-free Nozzle** – with IP65 self regulating heater
- **Lowest LN2 Losses** – Proprietary vacuum insulation with lowest heat leak 0.1 LPH
- **Minimized Product Splash** – Lowest dose pressure in its class, 0.1 - 0.3 psi
- **Sub-cooled LN2** – Ensuring constant LN2 density for accurate dosing
- **Corrosion Resistant** – 304L material grade of construction for doser body
- **Hygiene Design** – All external surface has rounded corners and sloped design for easy wash-down
- **Lowest Maintenance** – Ultra long life cycle dosing valve > 10 million
- **Ease of Installation** – Compact size for easy installation in limited space
- **Applications Flexibility** – Compatible with soft-dose and micro-dose technology for hot fill, powder, and granular applications
- **2 Years Vacuum Warranty** – Lowest cost of ownership

NovoDoser[®] M series 100M

Dimensions

Material	Stainless Steel 300 Series
Head Pressure	0.1 - 0.3psi
LN2 Supply	Manual filling
Steady State Consumption	< 0.03 gal (0.05 liter) / hour
Body Dimension	20"H x 5"W (515 x 129mm)
Dosing Head Dimension	EA Head 9.5"H x 2"W (241x50mm)
Dosing Head Arm Reach	6" (150mm)
Weight	22lbs (10kg)
Utilities	Liquid Nitrogen : 22 psi Gaseous N2 : 60 - 100 psi Electrical : 110-220VAC



100M Controller Specifications

PLC Platform	Siemens
HMI (Soft Key)	1" x 3" Mono
Dose Duration, 1ms int.	15 to 1500 ms
Dose Volume, mg/dose	10 to 2000
Dose Accuracy	± 5%
Dosing Signal	Foot Switch
Fixed Delay	✓
Nozzle Defrost	Manual
Certifications	CE, IP65

