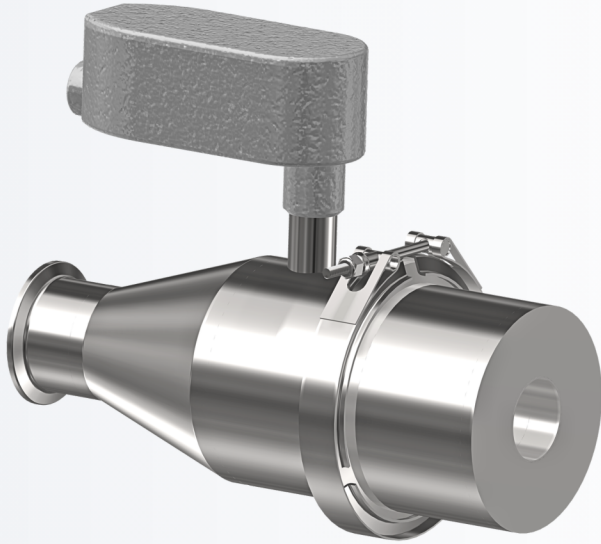


# Vent Heater



VHB Series

The Vent Heater is designed for use in outdoor venting applications and for indoor vent line termination within large enclosed spaces that provide sufficient air exchange.

Ice-free termination is maintained to mitigate safety risks, including falling ice hazards, water dripping, and potential roof damage. A durable outer protective surround is provided to enclose the high-temperature internal heating elements for operator safety.

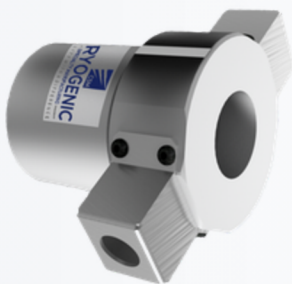
## Vent Heater

The vent heater is designed to be mounted directly onto the bayonet vent outlet of CSM conditioning equipment, including CryoVent, Degasser, and Phase Separator units, where cold discharge gas is required to be warmed prior to venting. The use of a vent heater typically eliminates the need for extended vent piping, insulation, or discharge into exhaust ducting.

When cryogenic liquid within the piping system continuously vaporizes, cold vapor released from the vent outlet can cause condensation and frost formation. This is prevented by the vent heater, which provides a heated flow path for the exiting cryogenic vapor. As the cold nitrogen vapor is warmed before discharge, ice and condensation are eliminated, improving site safety and reducing potential pipe stress associated with unheated vent outlets.

Every Vent Heater is backed by CSM's renowned customer service, from conceptual design to implementation, and includes a 3 months Defect Warranty.

## Related Products:



VH10A

## Typical Applications

- Vent Outlet at Cryovent and Degasser
- Vent Outlet at Phase Separator
- End of Venting Line

## Features and Benefits

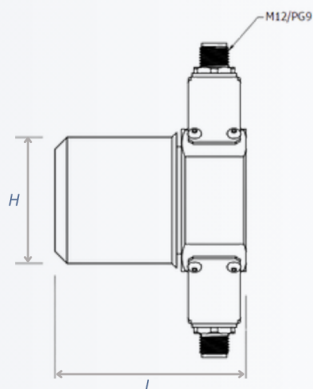
- Can be installed on the bayonet connection outlet of any liquid nitrogen holding device
- Eliminates the need for foam insulation on vent piping
- Eliminates the need for a large clearance space for vent piping
- Provides ice-free termination to prevent safety hazards (Falling ice, water accumulation, roof damage etc.)
- Protective outer weather cap shields internal heating elements from environmental exposure

# Vent Heater Specifications

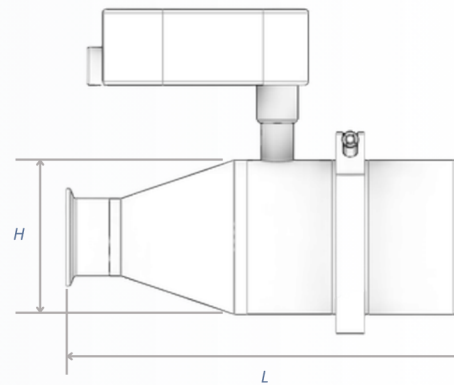
Model	VHB	VH10A
Material Construction	Stainless Steel Series 300	Aluminium
Application	Indoor / Outdoor	Indoor
Power	190 W - 380 W (Subjected to Customer Application)	
Voltage / Amp	24 VDC / 110 VAC / 220 VAC (Customer to Define Upon Order)	24 VDC
Power Connection	Standard Aluminium Rigid Conduit Body LB, ½" Threaded	M12
Standard Testing	Dimensional Check Functional Test	

## Vent Heater Dimensions

Part Number	H	L
VH10A-24DC	2.1" (53 mm)	3.1" (80 mm)
VHB-C10F	3.9" (100 mm)	11.3" (286 mm)
VHB-C15F	5.0" (127 mm)	15.0" (380 mm)



VH10A-24DC



VHB Series

*All dimensions provided are for indication purposes only and may not accurately represent the actual product dimensions. Please contact us for updated and actual measurements.*